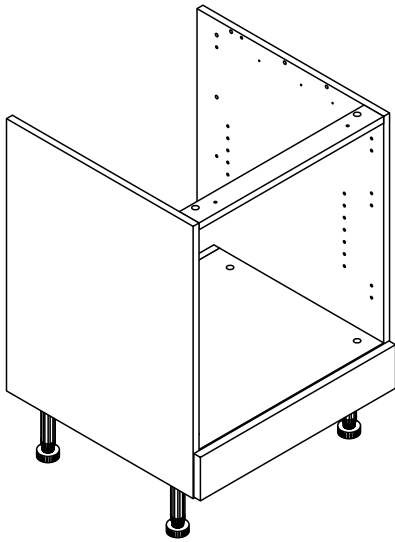





Built-Under Oven Unit



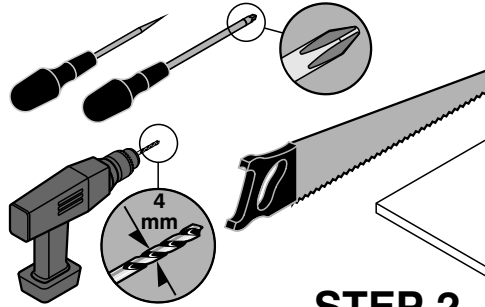
Hardware Quantities

06-  x 4
3.5 x 15mm

08-  x 2

07-  x 12
3.5 x 40mm

Tools Required



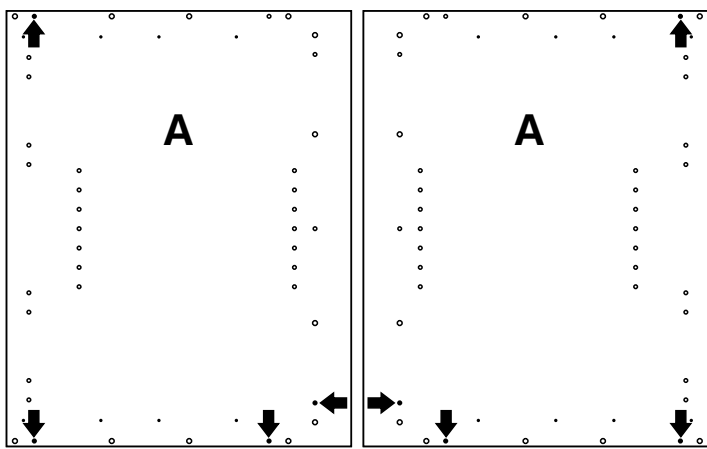
Please refer to these instructions first.

The Built-under Oven Unit is made by fitting a kit into a 600 Base Unit.

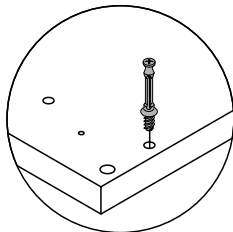
The Back panel should be cut down to 120mm. Instructions for fitting the legs are covered in the leaflet supplied with the Base Unit

Refer to the Oven manufacturer's instructions for information on ventilation and installation.

STEP 1

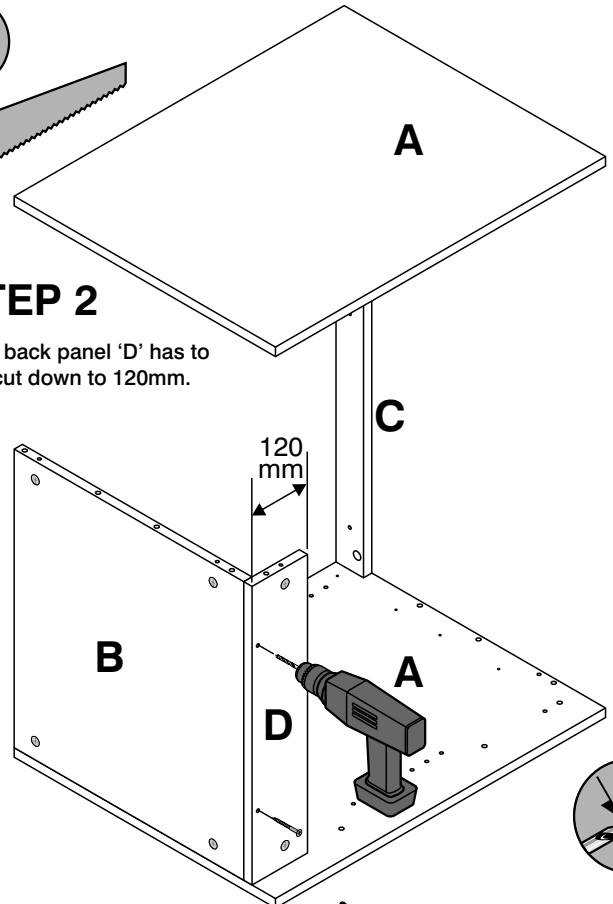



02-  x 8



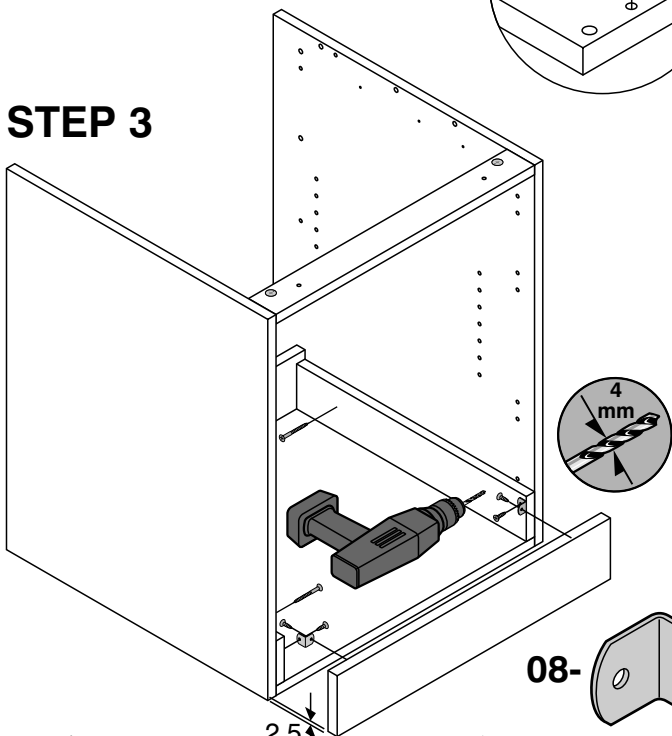
STEP 2

The back panel 'D' has to be cut down to 120mm.



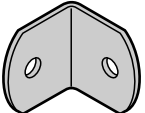
07-  x 2
3.5 x 40mm


STEP 3



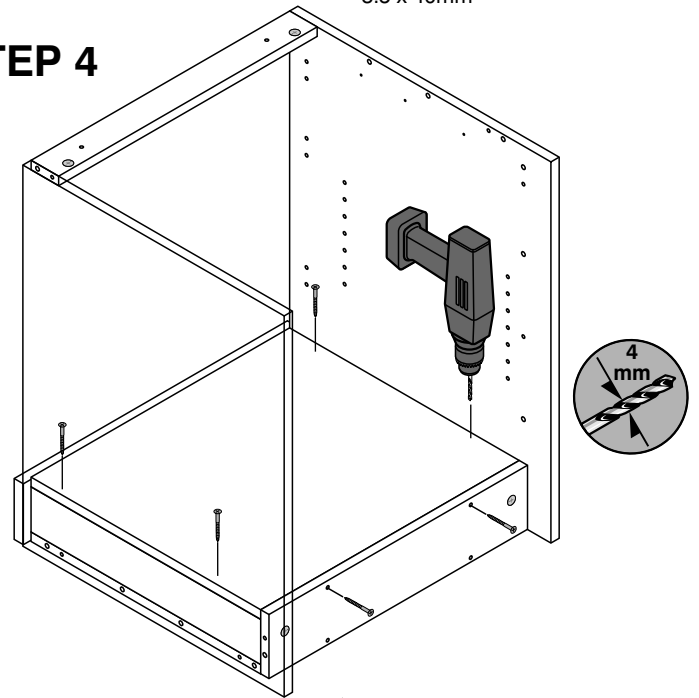
06-  x 4
3.5 x 15mm


2.5 mm

08-  x 2

07-  x 4
3.5 x 40mm

STEP 4



07-  x 6
3.5 x 40mm