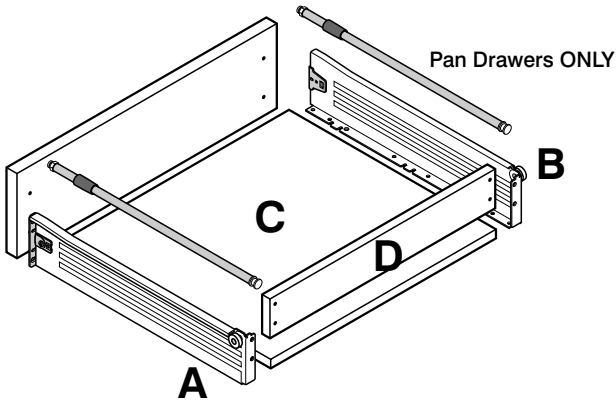


# Drawer Box

## Panels


Fascias are supplied separately


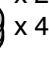



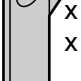
## Hardware Quantities

Note: All hardware quantities depend on the type of drawer box being assembled.

06-  x 12/18/24  
3.5 x 15mm

07-  x 2  
3.5 x 40mm

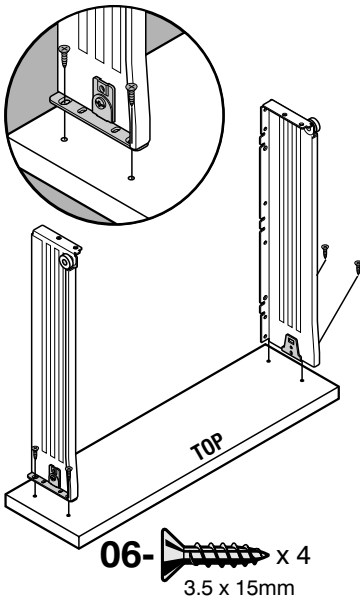
27-  x 2  
 x 4

28-  x 2  
 x 4

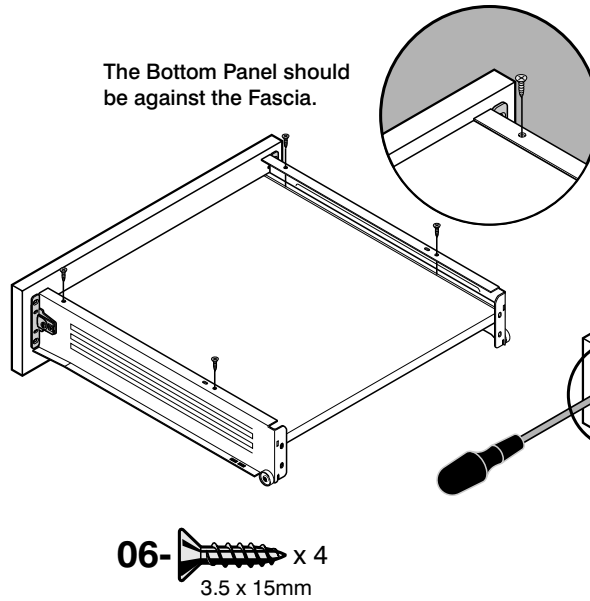
## Tools Required



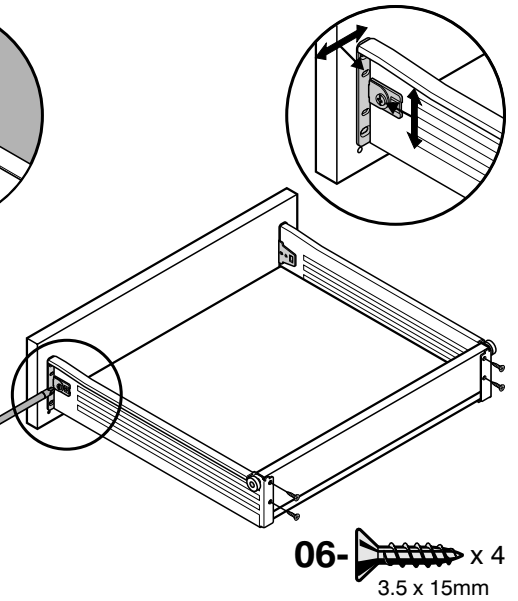
### STEP 1



### STEP 2



### STEP 3



## Pan Drawers

\*- Turning the rails will adjust the tilt of the fascia.

