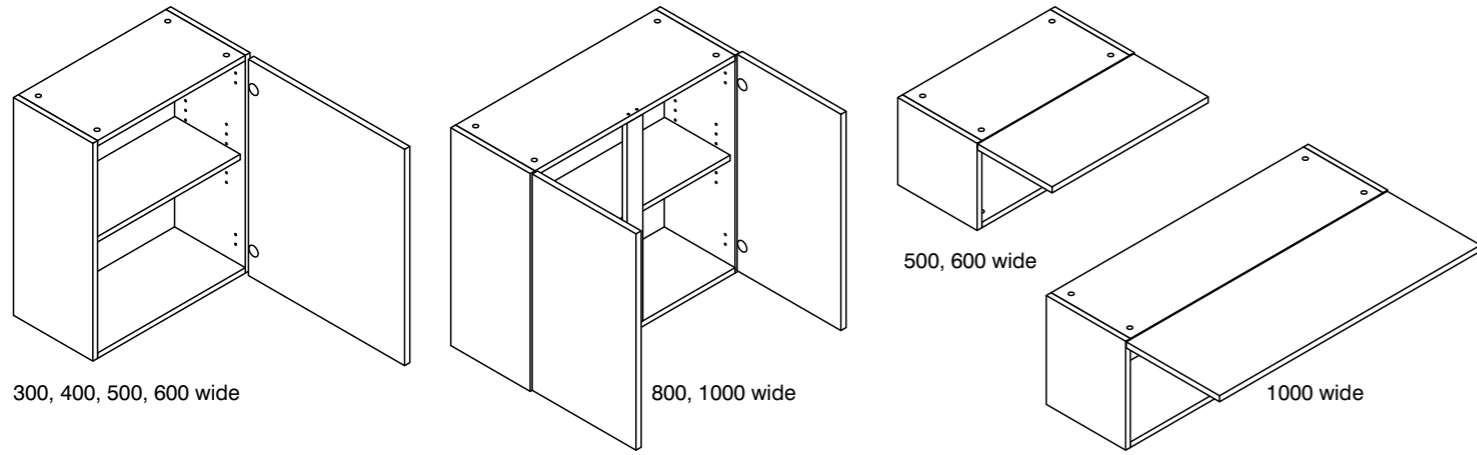
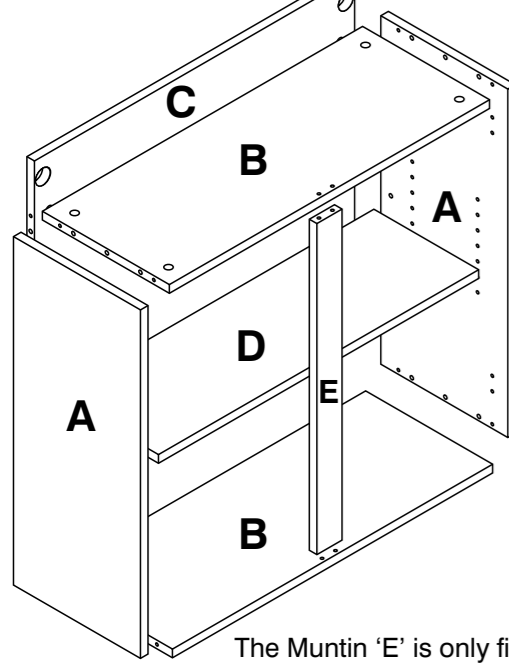


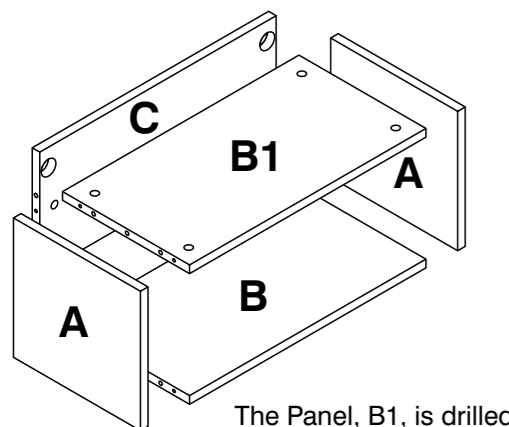
Single Door Wall Units, Double Door Wall Units & Bridging Units



Panels

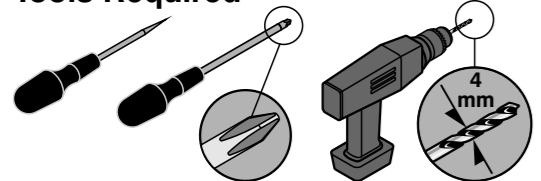


The Muntin 'E' is only fitted to the 800 and 1000mm Wide Units.

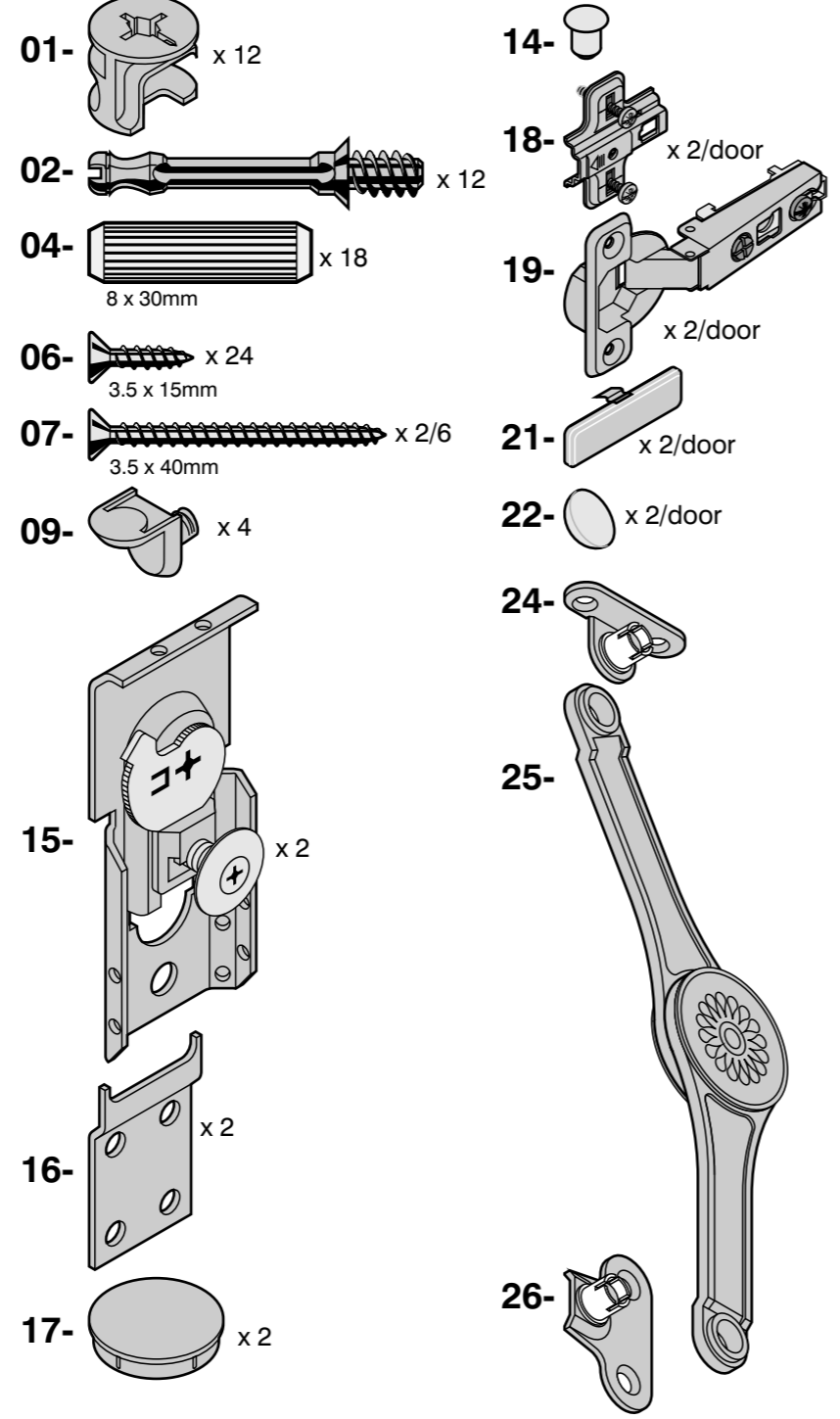


The Panel, B1, is drilled on the underside for hinge plates.

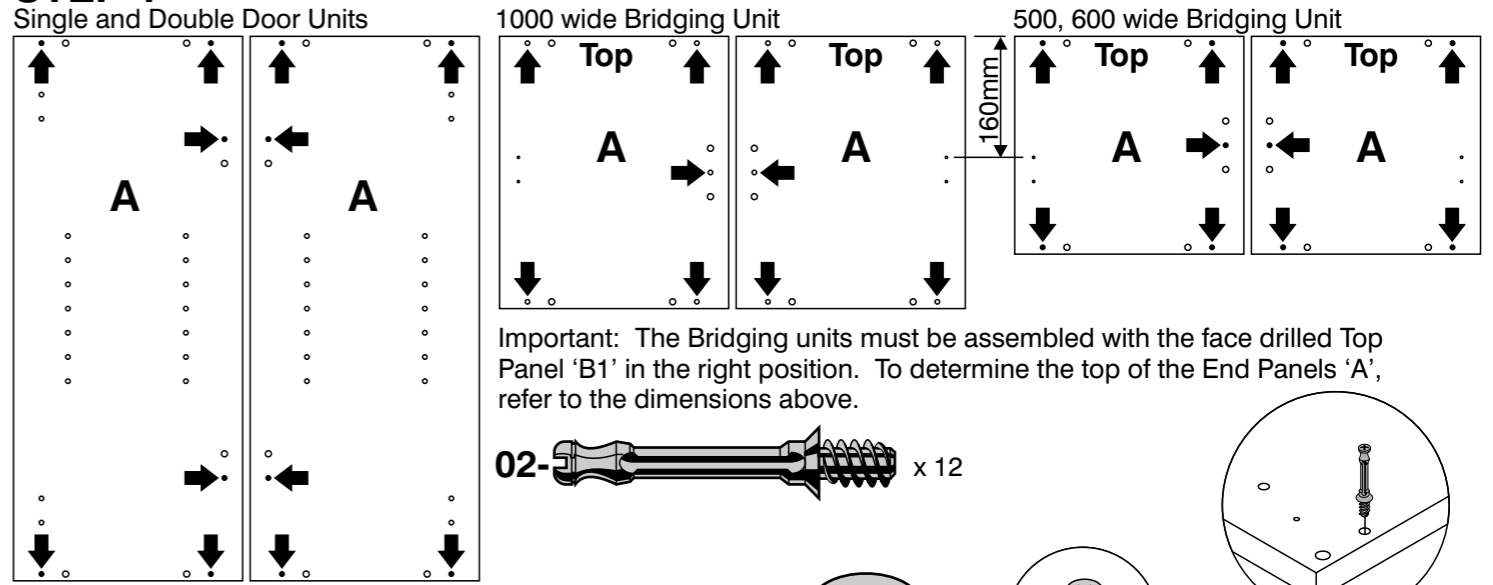
Tools Required



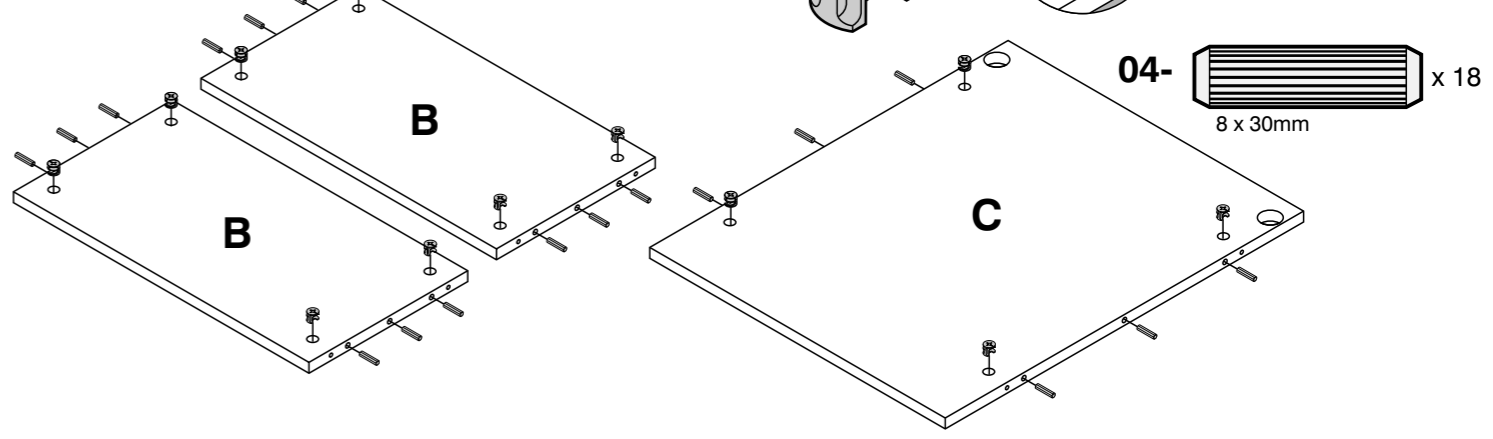
Hardware Quantities



STEP 1

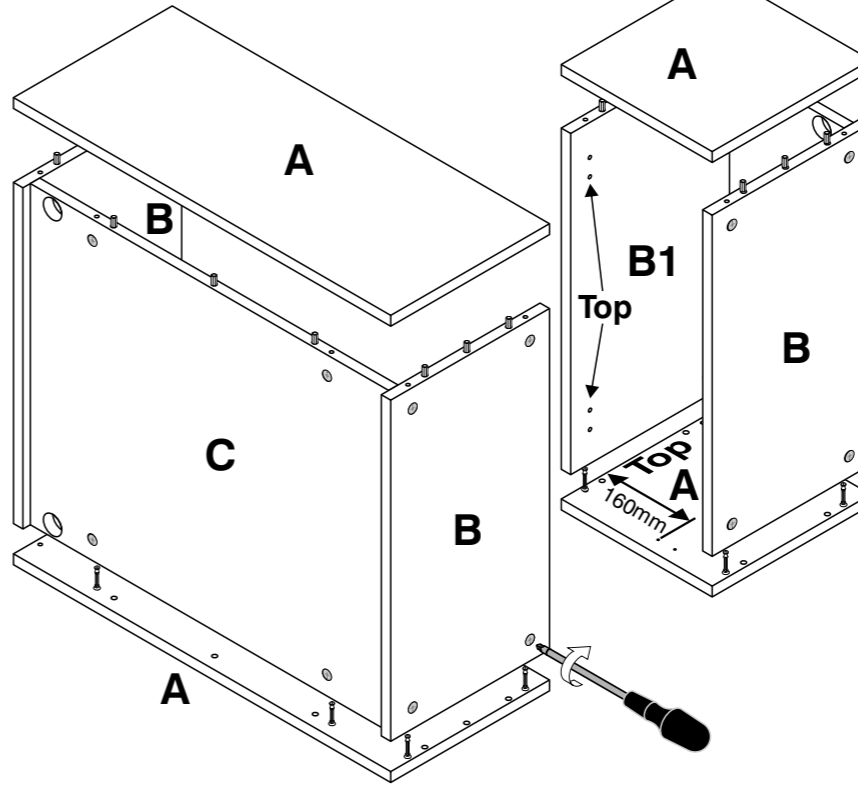


STEP 2



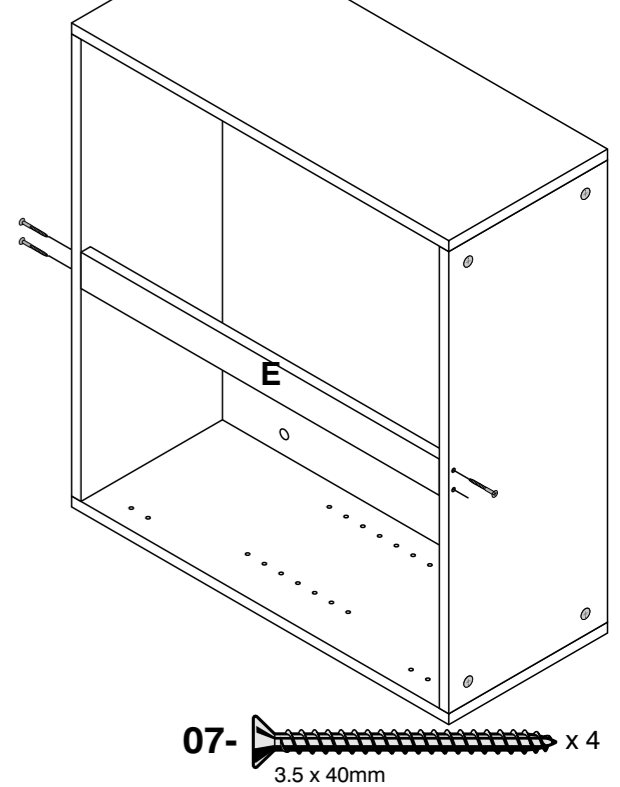
STEP 3

Important: The Bridging units must be assembled with the drilled Top Panel 'B' in the right position. To determine the top of the End Panels 'A', refer to the dimensions.

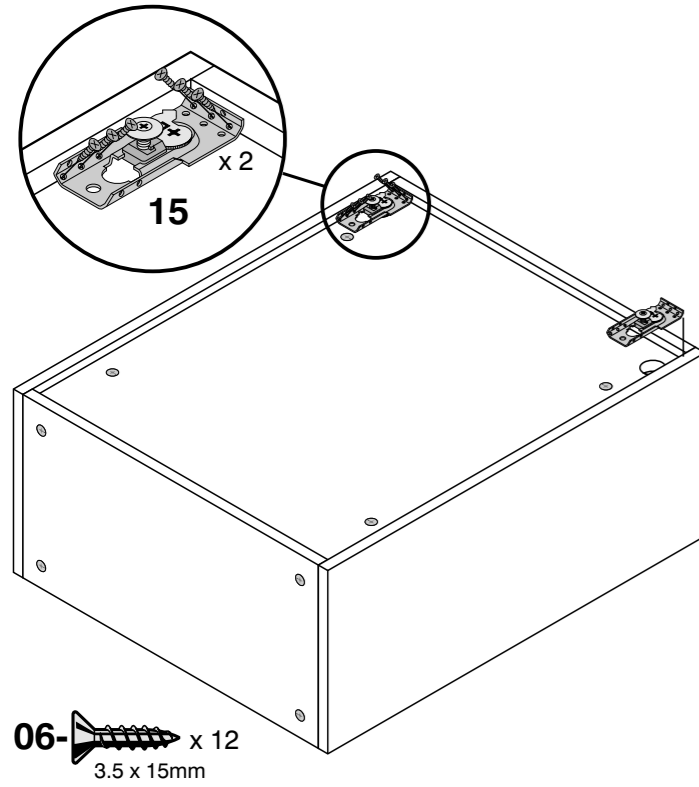


STEP 4

The Muntin 'E' is only fitted to the 800 and 1000mm Wide Units.

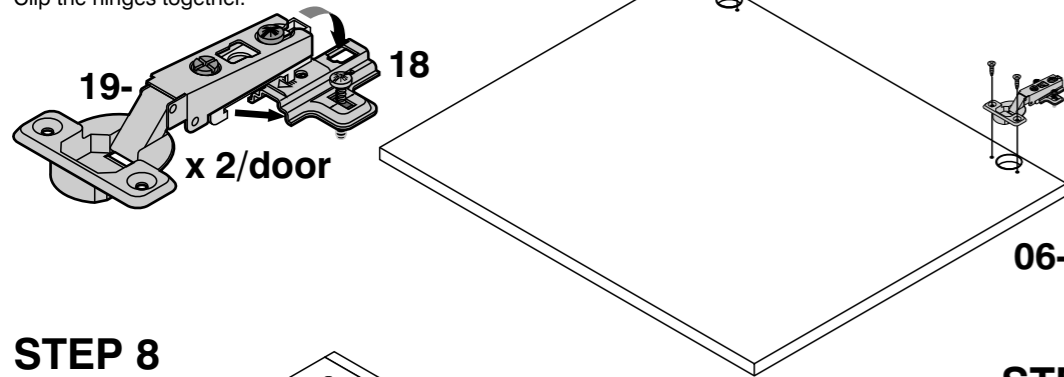


STEP 5

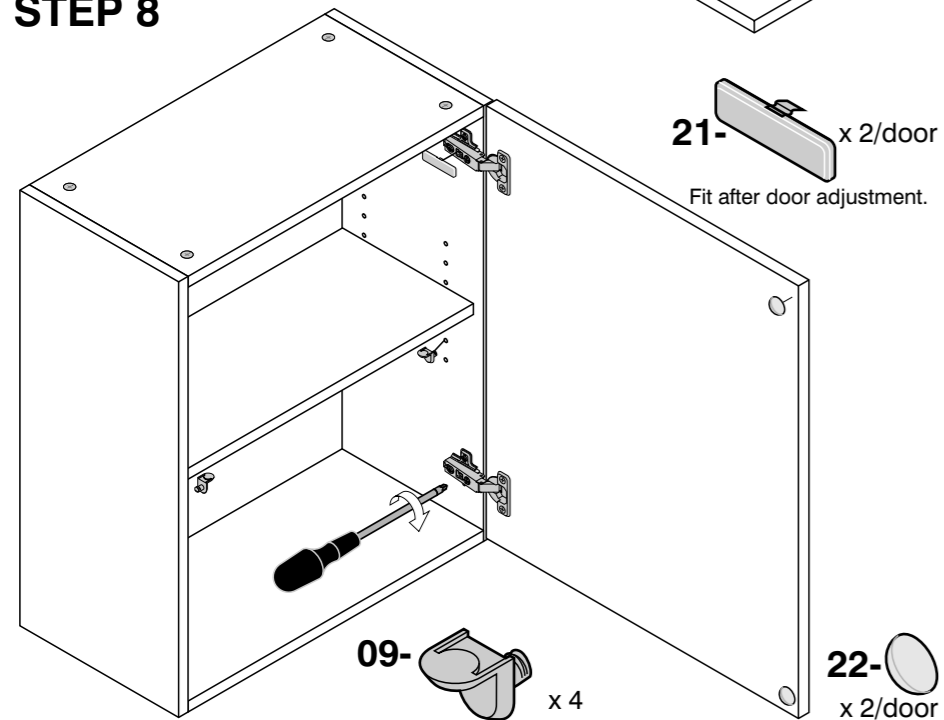


STEP 7

Clip the hinges together.



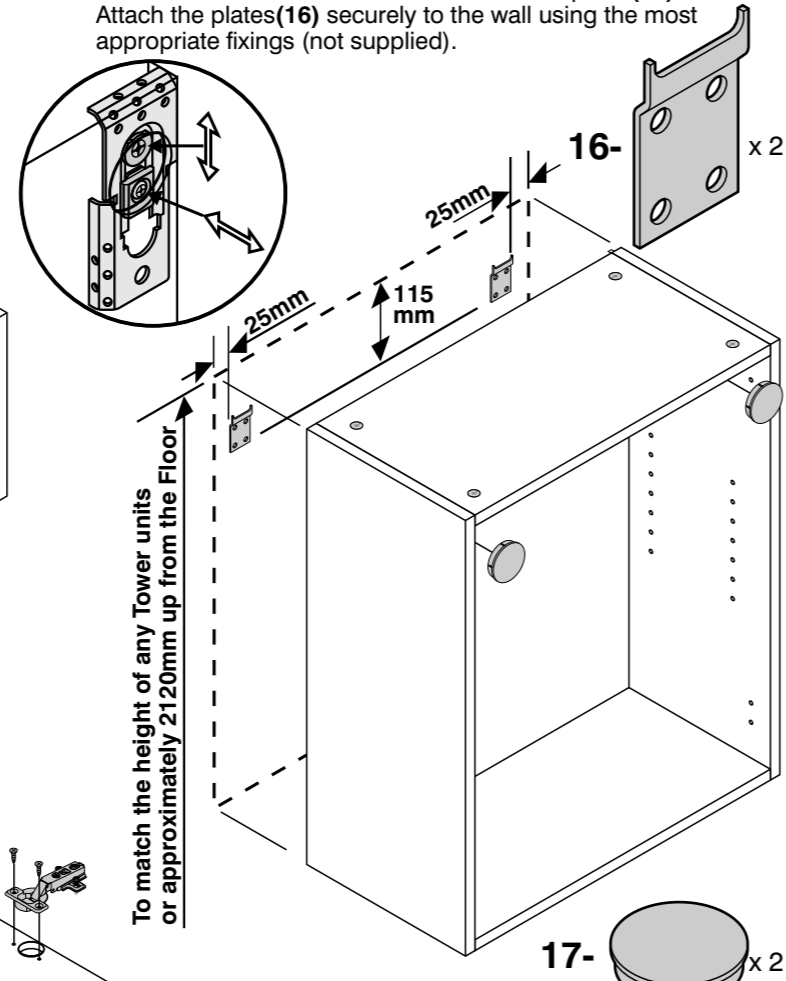
STEP 8



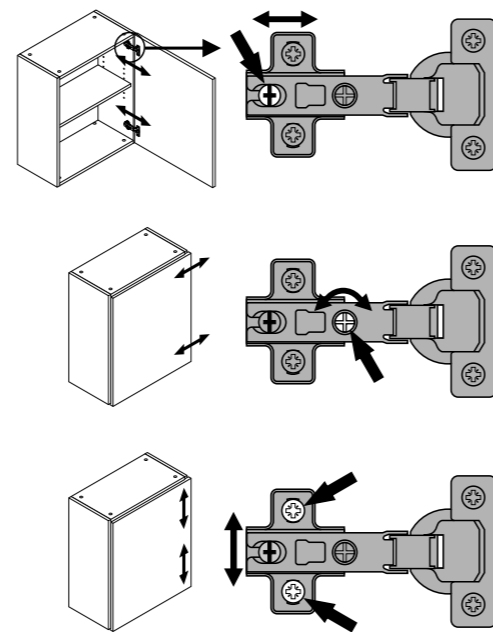
STEP 6 IMPORTANT:

Please refer to the hob manufacturer's instructions for information regarding the minimum distance allowed between the hob and wall units.

NOTE: Measurement is to the bottom of the plate (16). Attach the plates (16) securely to the wall using the most appropriate fixings (not supplied).



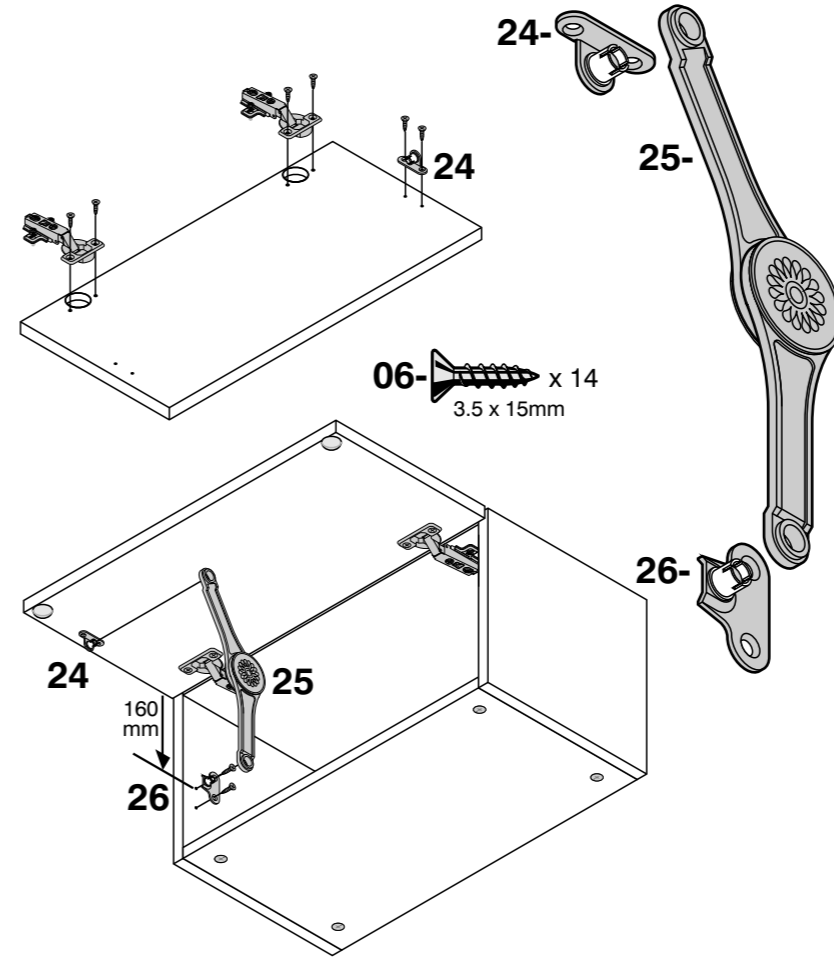
STEP 9



Bridging Units

The 500 and 600 wide Bridging units are fitted with 1 stay as shown. The stay may be fitted at either end.

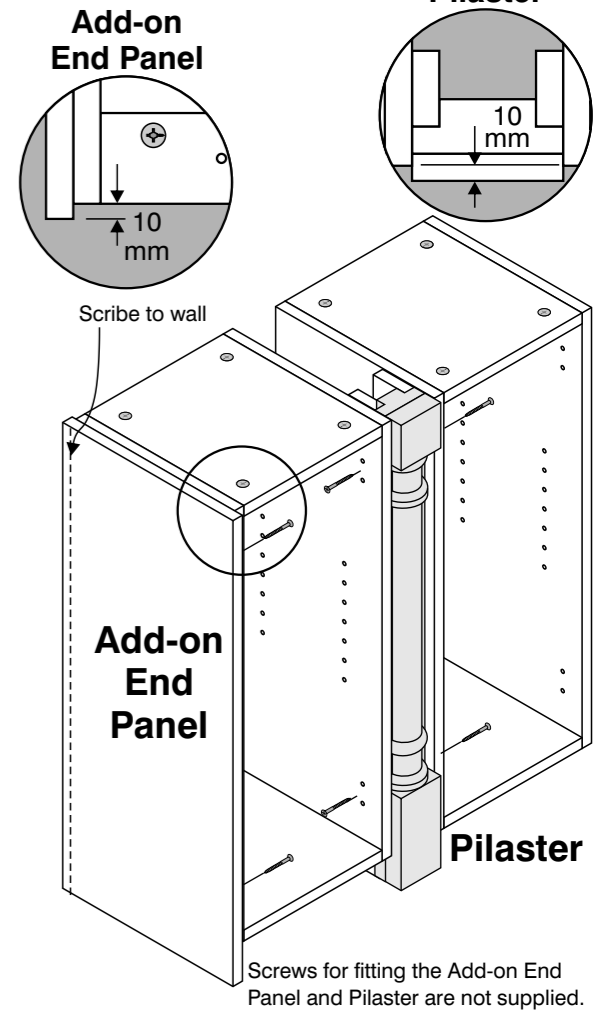
The 1000 Bridging Unit is fitted with a stay at both ends.



Fitting a Pilaster and Add-on End Panel

Add-on End Panel

Pilaster



Overlap Corner Conversion

Use the flat brackets to fix the Corner Post to the Blanking Panel.

